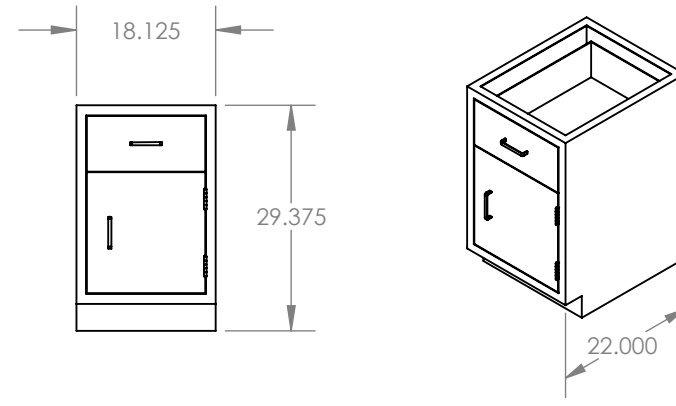
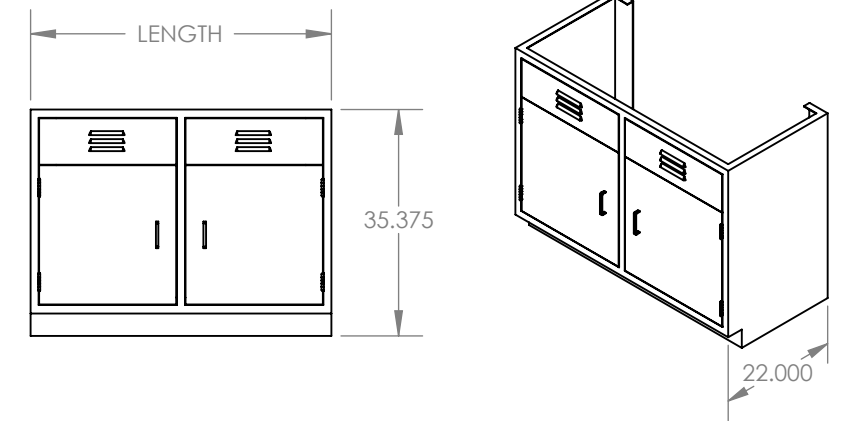


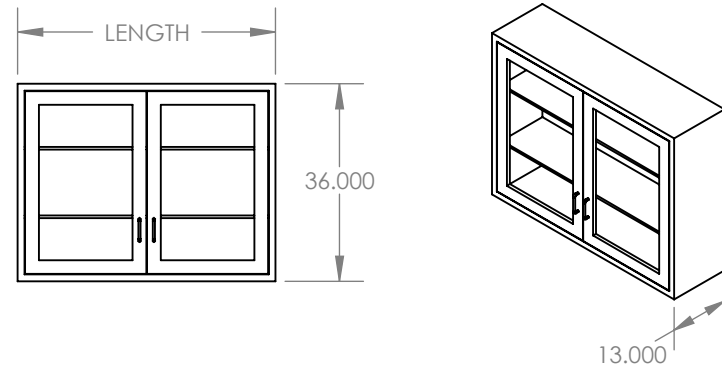
LL2429AG-SSAA



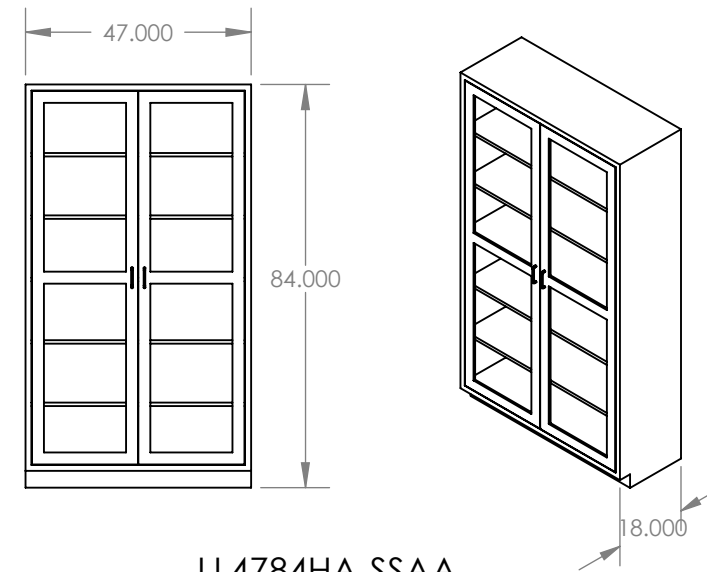
LL1829AB-SSAA



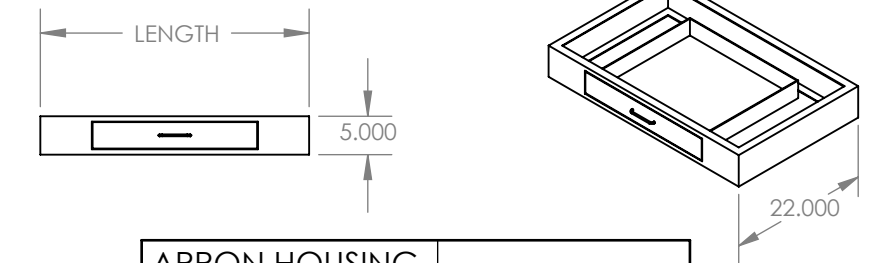
CABINET #	LENGTH
LL5835DB-SSAA	58.00"
LL4735DB-SSAA	47.00"
LL3535DB-SSAA	35.00"



CABINET #	LENGTH
LL4736EM-SSAA	47.00"
LL3536EM-SSAA	35.00"



LL4784HA-SSAA



APRON HOUSING W/ DRAWER #	LENGTH
LL4722AWD-SSA	47.000"
LL3522AWD-SSA	35.000"
LL3022AWD-SSA	30.000"

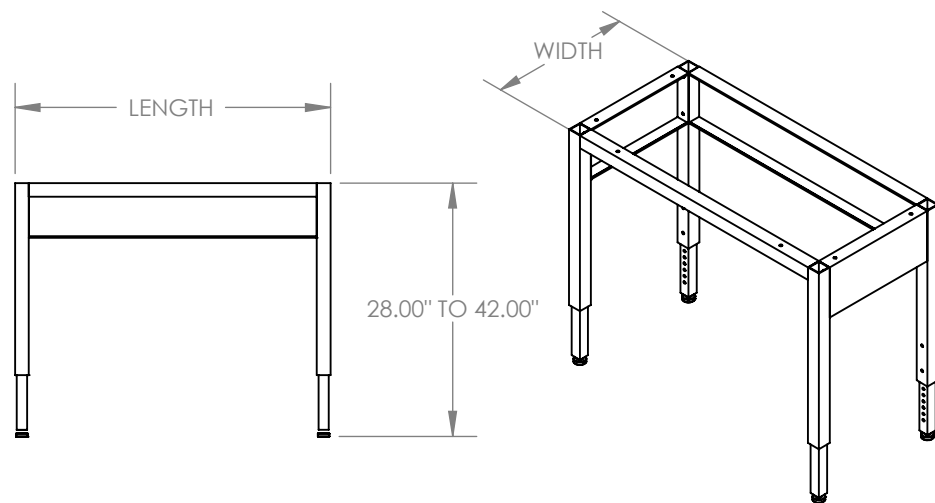
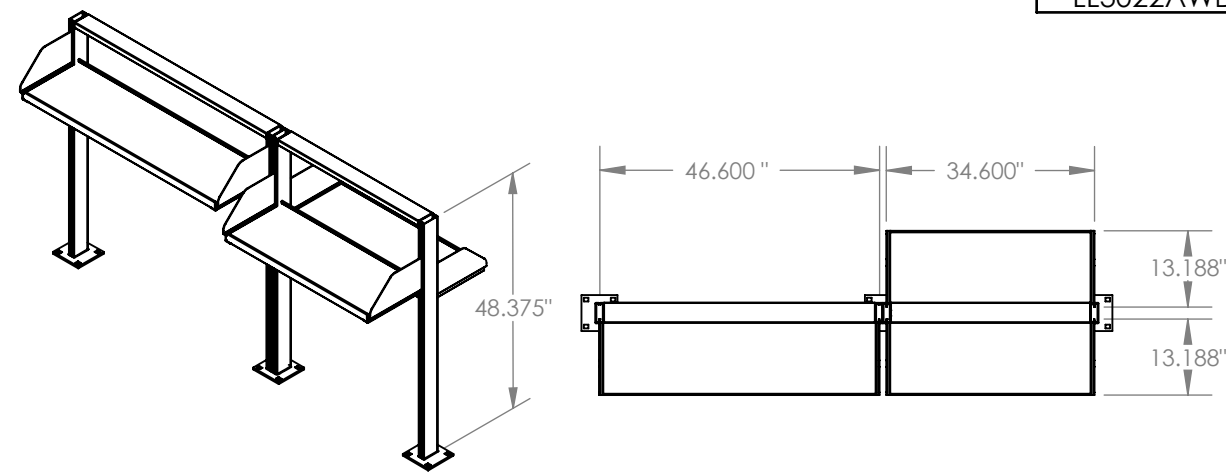


TABLE #	LENGTH	WIDTH
LL3630ALT-S2	34.00"	22.00" OR 28.00"
LL4830ALT-S2	46.00"	22.00" OR 28.00"
LL5430ALT-S2	52.00"	22.00" OR 28.00"
LL6030ALT-S2	58.00"	22.00" OR 28.00"
LL7230ALT-S2	70.00"	22.00" OR 28.00"



DECK MOUNTED SHELF SYSTEM
AVAILABLE IN 3' AND 4' SECTIONS

ALSO AVAILABLE:

- APRON RAILS
- FILLER PANELS
- ASSORTED ACCESSORIES



Quasar Instruments, LLC
4835 Centennial Blvd.
Colorado Springs, CO 80919

T. 888-535-8001 | D. 719-535-8000
QuasarInstruments.com